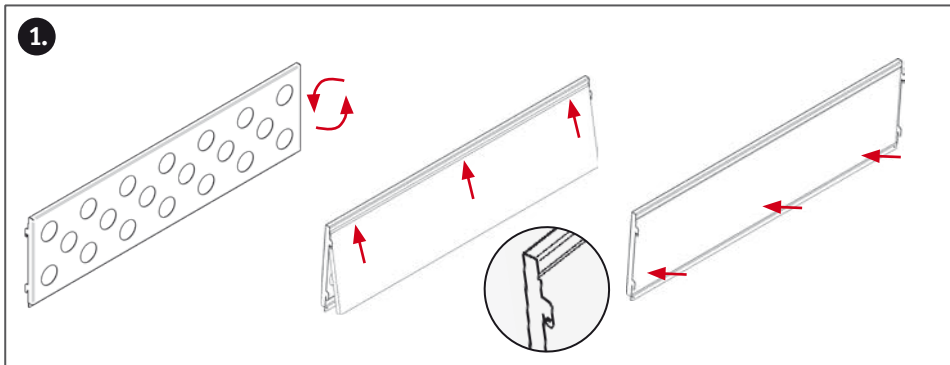


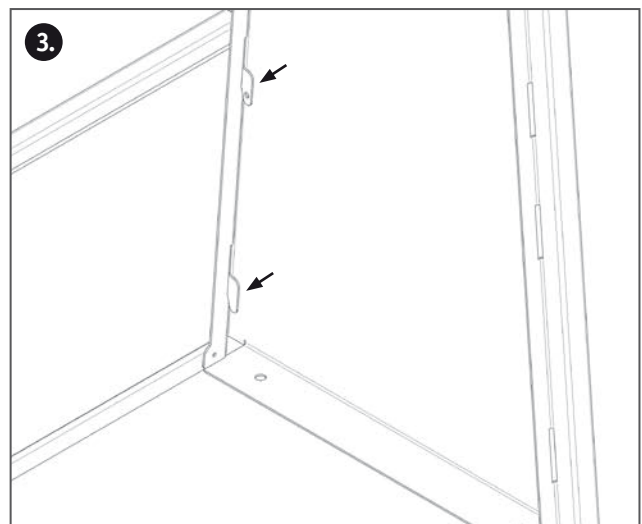
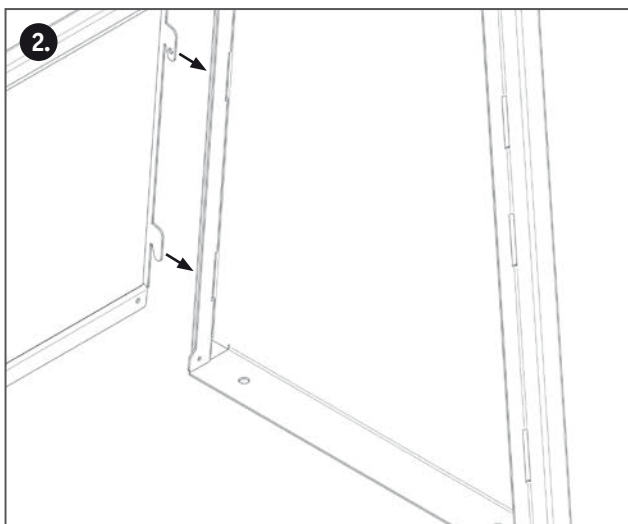


# Eva living wall

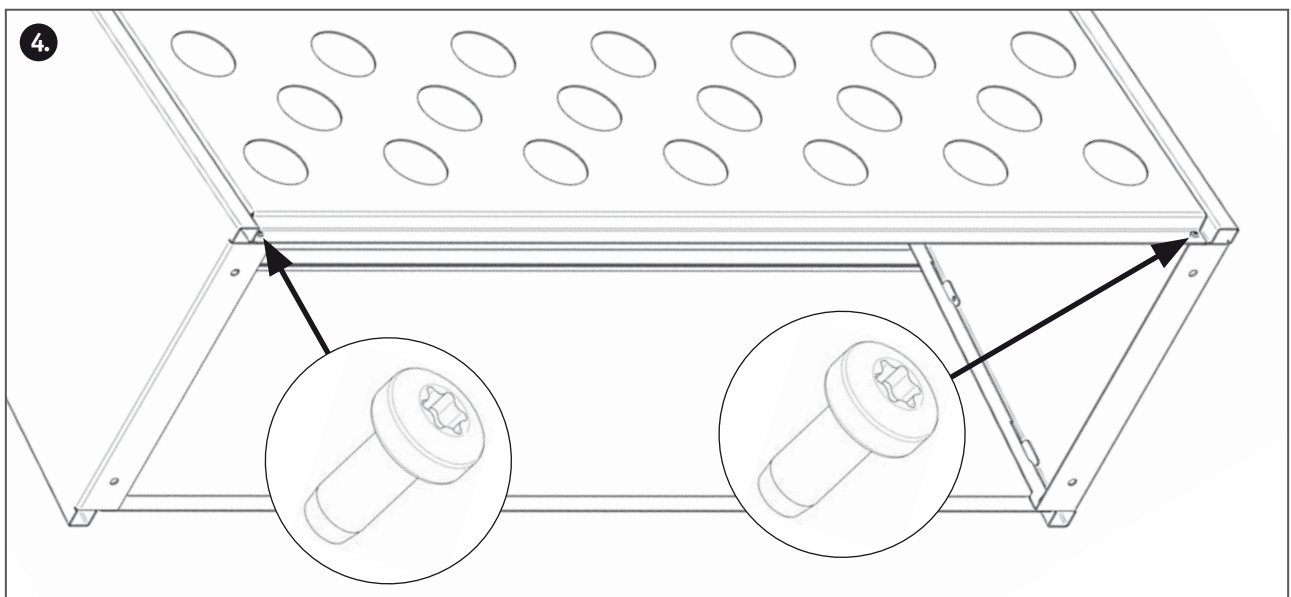
## Setup instructions



Styrodur sheets can be clipped into the panels.

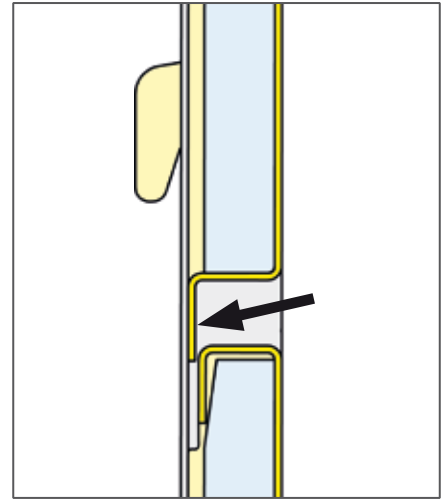
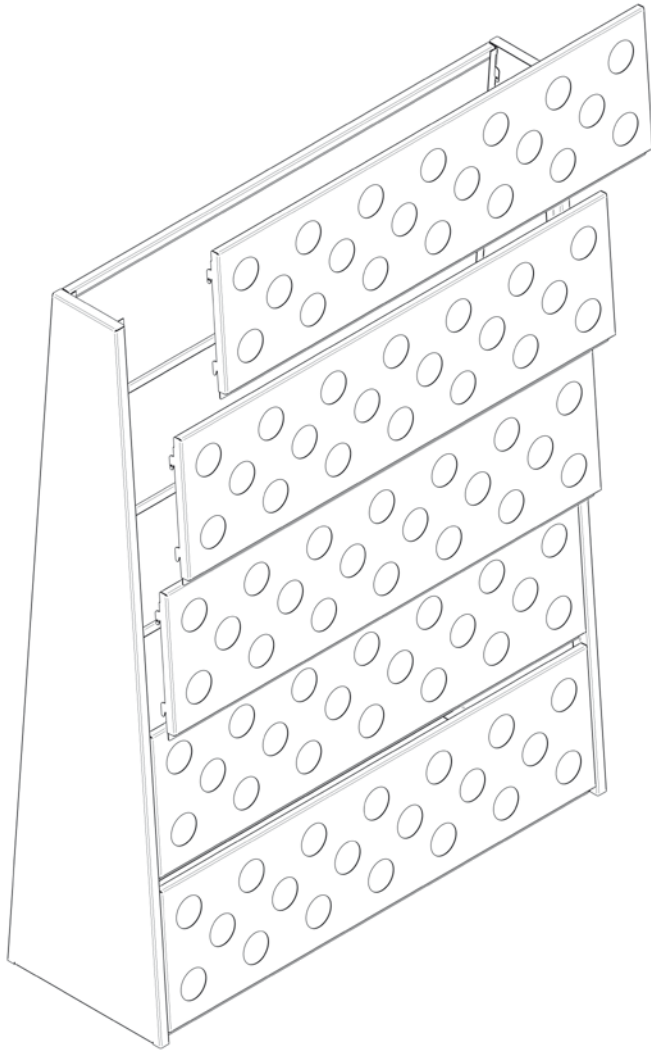


Use the hooks to attach the bottom panel to the corresponding slots on the side walls.

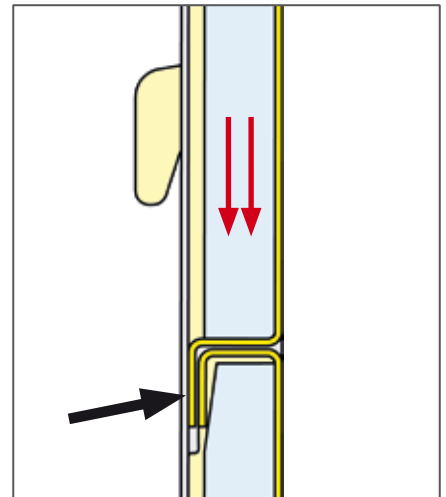


Use the enclosed self-tapping screws to secure the bottom panels.

5.

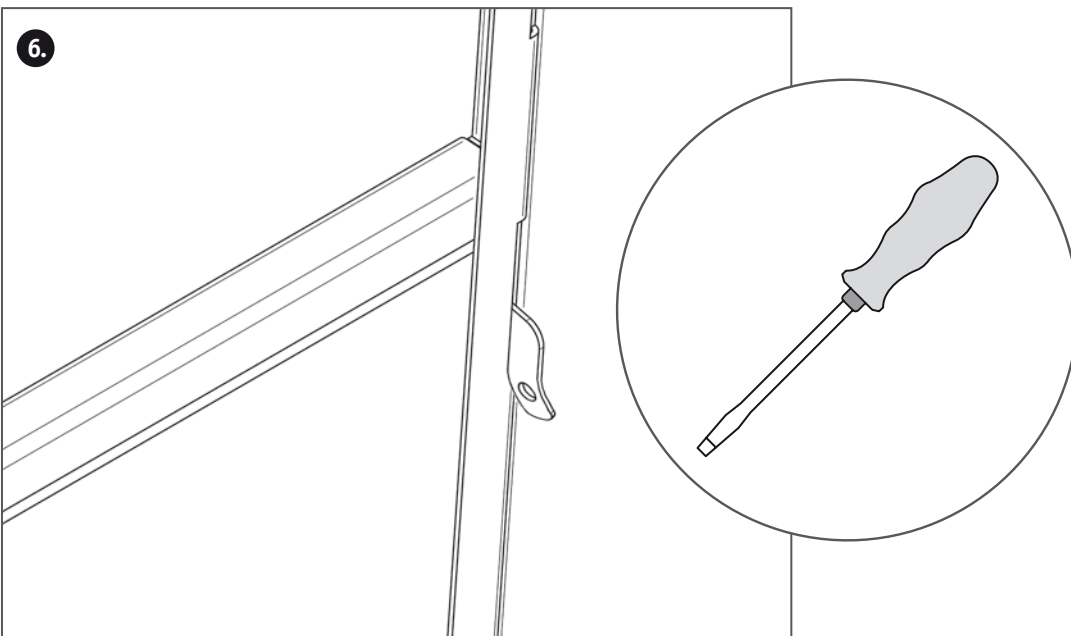


The downward-facing panel clips must be pushed behind the preceding panel during installation.



Install all panels from bottom to top.

6.

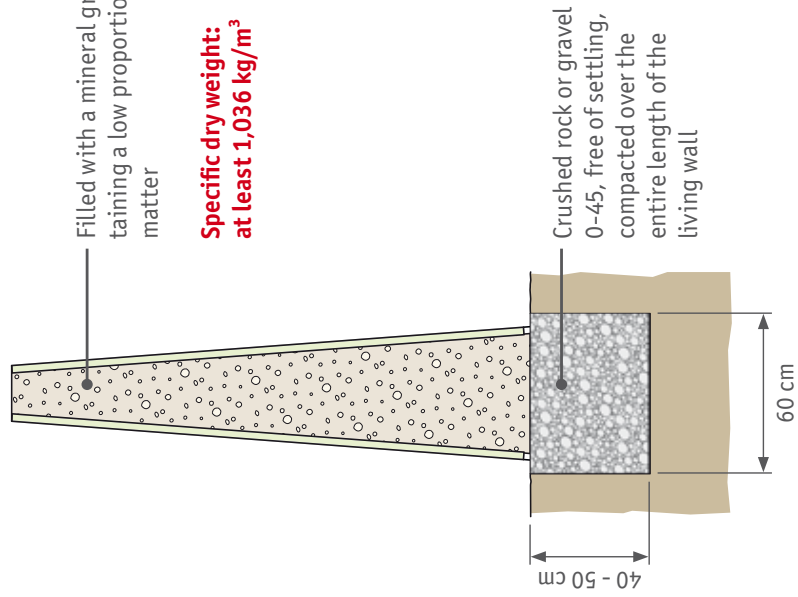


The upper panel clip can be bent with a screwdriver as an additional securing measure.

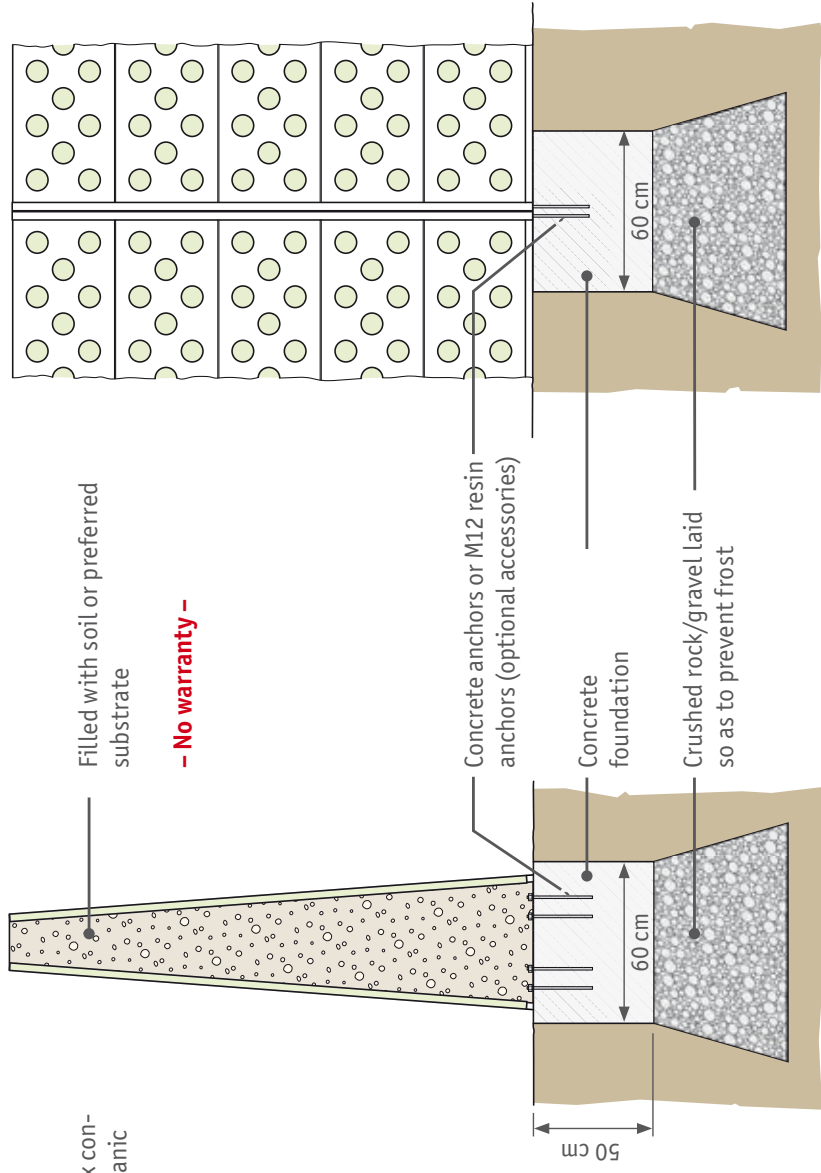
# Eva living wall

## Setup options

Setup option A



Setup option B



# Richard Brink GmbH & Co. KG

## Metalware Production and Sales

### Germany

Görlitzer Straße 1  
33758 Schloß Holte-Stukenbrock  
T +49 (0)5207 95 04-0  
F +49 (0)5207 95 04-20

[anfragen@richard-brink.de](mailto:anfragen@richard-brink.de)  
[bestellungen@richard-brink.de](mailto:bestellungen@richard-brink.de)

### Austria

Rosenheim 112 b  
9805 Baldramsdorf  
T +43 (0)4762 75 00-0  
F +43 (0)4762 75 00-04

[anfragen@richard-brink.at](mailto:anfragen@richard-brink.at)  
[bestellungen@richard-brink.at](mailto:bestellungen@richard-brink.at)

### Netherlands

Capitool 10  
7521PL Enschede  
T +31 (0)85 210 0519  
M +31 (0)64 420 9309

[aanvragen@richard-brink.nl](mailto:aanvragen@richard-brink.nl)  
[bestellingen@richard-brink.nl](mailto:bestellingen@richard-brink.nl)

### France

50, avenue d'Alsace  
68000 Colmar  
T +49 (0)5207 95 04 224  
T +33 6 79 87 58 17

[demandes@richard-brink.fr](mailto:demandes@richard-brink.fr)  
[commandes@richard-brink.fr](mailto:commandes@richard-brink.fr)

[www.richard-brink.de](http://www.richard-brink.de)

*With tender specification generator,  
supplier database  
and **online shop***

